



SR-13 Series

ROCKER SWITCH



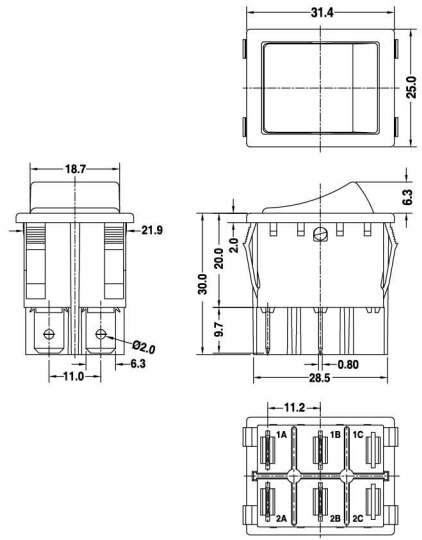
Specifications:

8(8)A 250VAC T105/55 5E4
 10(4)A 250VAC T105/55 5E4
 10(4)A 400VAC T125/55
 10(6)A 250VAC T125/55 5E4
 16(8)A 250VAC T105/55
 20(3)A 250VAC T125/55
 IP65 waterproof protection for button type no.3 (SGS approved)



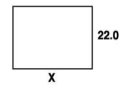
10A 250VAC T105
 16A 125VAC
 16A 250VAC T105
 20A 125VAC
 1/2HP 250VAC T105
 1/4HP 125VAC

3/4HP 250VAC T105
 3/4HP 125VAC
 1HP 250VAC T105
 1/2HP 125VAC



Suggested panel hole size

Panel thickness	X
1.0-1.5	30.2
1.5-2.0	30.5
2.0-3.0	30.8



SR-13

A 2 H T 1 BK BK 1 0 0 0 00

Function	No. of Poles	Current	Terminal Type	Base Type	Base Color	Button Color	Button Type	Printing	Color of Printing	Lamp Voltage	Small Lens Color	Internal Use Only
A ON-OFF	1 Single	H 16(8)A 250VAC	T	1	BK Black	BK Black	1 (Except functions N&P)	0 None	0 None	0 None	00 None	
B ON-ON	2 Double	8(8)A 250VAC 5E4	T	1	WT White	WT White	1	1	1 White	1 12V	RE Red	
C ON-OFF-ON		10(4)A 250VAC 5E4	T	1	GE Grey	GE Grey	2 (For N&P functions only)	2	2 Black	2 24V	GR Green	
D (ON)-OFF		16A 125VAC	T1	2	RE Red	RE Red	3	3	3 Red	3 110V	BL Blue	
E ON-(OFF)		1HP 250VAC	T1	2	GR Green	GR Green	3	4	4 Blue	4 220V	AM Amber	
F ON-(ON)		1/2HP 125VAC	T1	2	BL Blue	BL Blue	5 (For waterproof cap)	5	5 Yellow			
M ON-OFF-(ON)		L 16(8)A 250VAC	T2	3	OR Orange	OR Orange	6	6				
X (ON)-OFF-(ON)		16A 125VAC	T2	3	YE Yellow	AM Amber	4	7				
N ON-OFF w/lamp		1/2HP 250VAC	T2	3		YE Yellow	4	8				
P ON-OFF w/lamp (Switched neutral)		1/4HP 125VAC	T2	3			4	9				
I Indicator		G 16(8)A 250VAC	T3	4			4	A				
		10(6)A 250VAC 5E4	T3	4			R (For N&P functions only)					
		10(4)A 400VAC	T3	4			R					
		20(3)A 250VAC	T3	4			R					
		20A 125VAC	T3	4			R					
		3/4HP 250VAC	T3	5			I (For I function only)					
		3/4HP 125VAC	T3	5			I					