



# SR-68-2 Series

ROCKER SWITCH



SR-68-2C



SR-68-2W



SR-68-2K



SR-68-2K



SR-68-2A



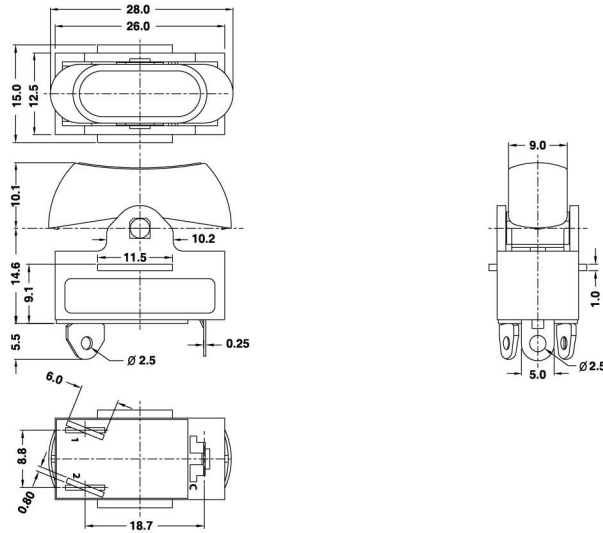
SR-68-2K

## Specifications:

10(2)A 250VAC T85/55 5E4  
16(3)A 250VAC T85/55



10.1A 250VAC T85  
16A 125VAC



## SR-68-2

K		L		BK		GE		1		2		4		1		Internal Use Only
Function	Current	Base Color	Button Color	Button Type	Printing	Color of Printing	Base Type									
A OFF-ON <sub>1+2</sub>	16(3)A 250VAC 16A 125VAC	BK Black	BK Black	0 None	0 None	0 None	1	1								
C ON <sub>1</sub> -OFF-ON <sub>2</sub>			WT White	1	1	1 White	2	2								
K OFF-ON <sub>1</sub> -ON <sub>1+2</sub>			GE Grey	2	2	2 Black	3	3								
W ON <sub>1</sub> -ON <sub>2</sub> -ON <sub>1+2</sub>			RE Red	3	3	3 Red	4	4								
M ON <sub>1</sub> -OFF-(ON <sub>2</sub> )			GR Green	4	4	4 Blue	5	5								
X (ON <sub>1</sub> )-OFF-(ON <sub>2</sub> )			BL Blue	5	5	5 Yellow	6	6								
Q OFF-ON <sub>1</sub> -(ON <sub>1+2</sub> )			OR Orange	6	6	6 Silver	7	7								
T (ON <sub>1</sub> )-ON <sub>2</sub> -ON <sub>1+2</sub>			YE Yellow	7	7		8	8								
U ON <sub>1</sub> -ON <sub>2</sub> -(ON <sub>1+2</sub> )				8	8		9	9								
V (ON <sub>1</sub> )-ON <sub>2</sub> -(ON <sub>1+2</sub> )				9	9		10	10								
				10	10		B	B								
				B	B											