



# SL-502 Series



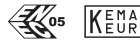
SL-502



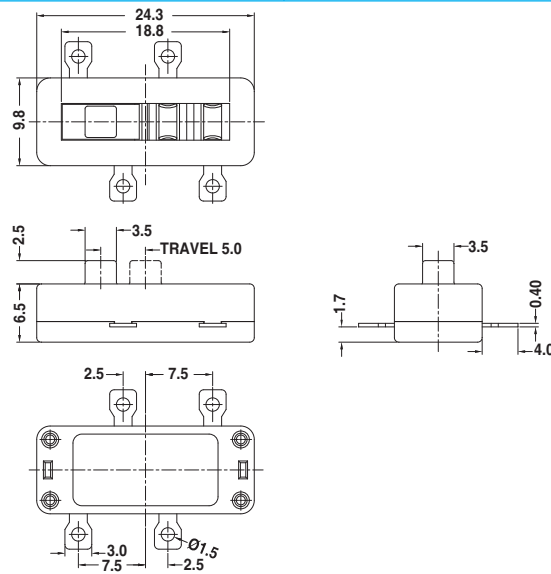
SL-502

## Specification:

5(1)A 250VAC T85



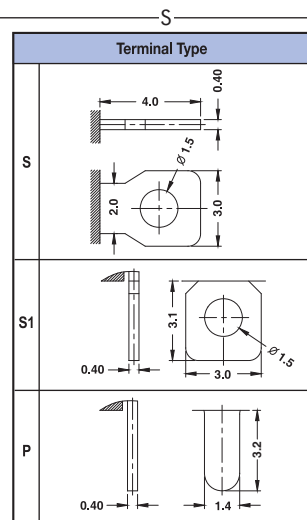
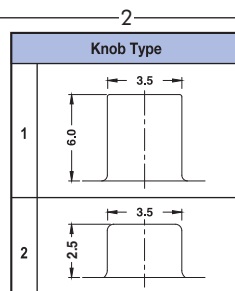
3A	250VAC	T105
6A	125VAC	
4A	250VAC	T105
8A	125VAC	



## SL-502

13	
Circuit	
12	1P2T
13	1P3T

M	
Current	
M	5(1)A 250VAC
	8A 125VAC



Internal Use Only

SLIDE SWITCH