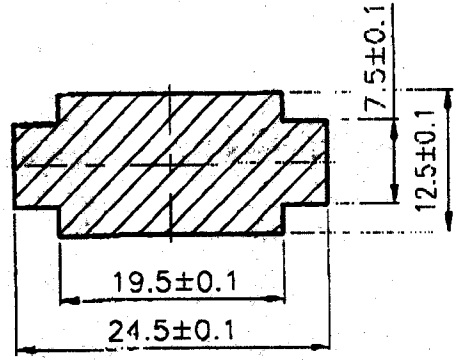
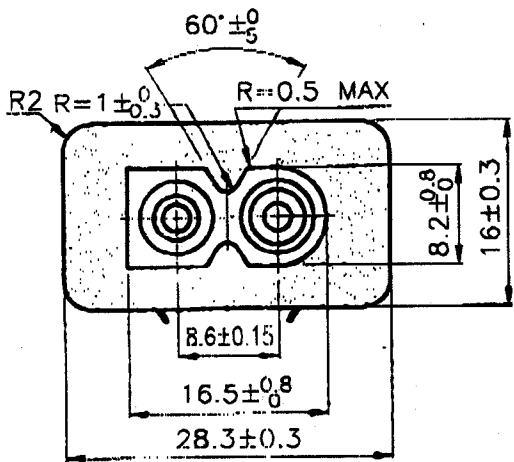
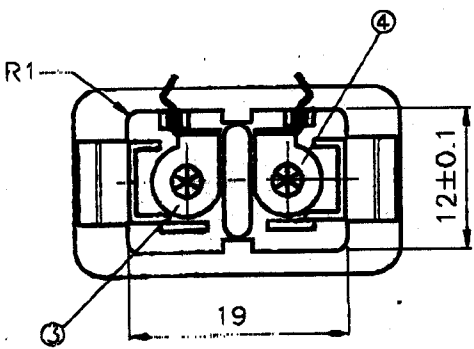
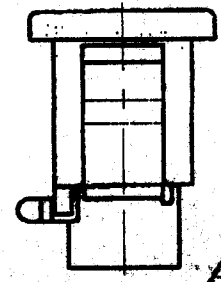
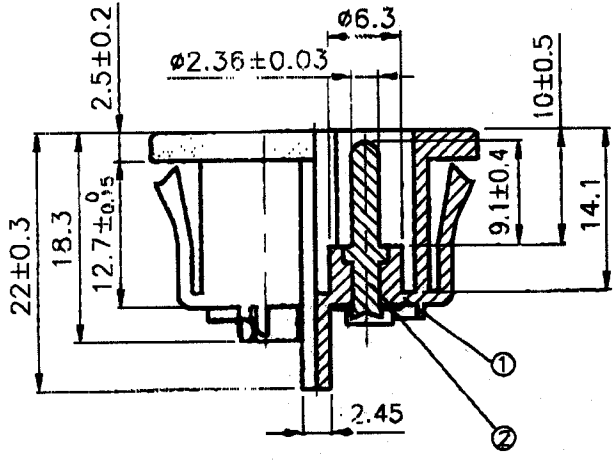


RF-180 SCALE : 1.5:1 UNIT : mm

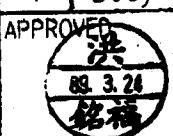


PANEL CUTOUT THICKNESS 0.6mm~2.0mm



2.5A 250V AC
UL NO: E102641
CSA NO: LR65612
VDE NO: 85095
SEV NO: 99,7 70605,01
FIMKO NO: 188659-01
DEMKO NO: 304983
NEMKO NO: P98100826
SEMKO NO: 9548184 01
OVE NO: 5726-063-00

			一般公差	
			尺寸範圍	容許公差
4	Contact PIN-R Bronze Strip t=0.3mm Tin-Plated	1	0~10	±0.3
3	Contact PIN-L Bronze Strip t=0.3mm Tin-Plated	1	10~100	±0.5
2	Solid Contact PIN Bronze Strip d=2.36 mm Ni-Plated	2	100~150	±0.8
1	Body Insulator PC 940 Black Color	1	150~250	±1



DRAWER: Fanny

ORDER NO: RF-180-J
DRAWING NO: 870169