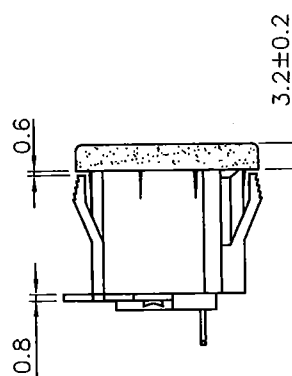
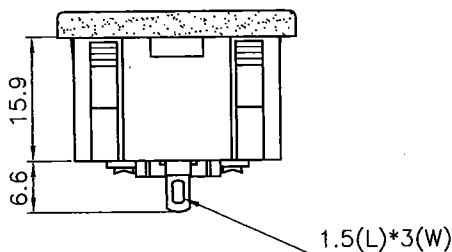
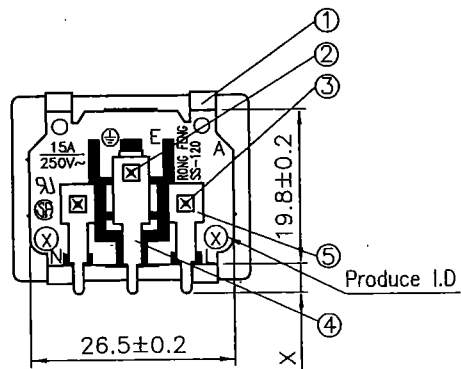
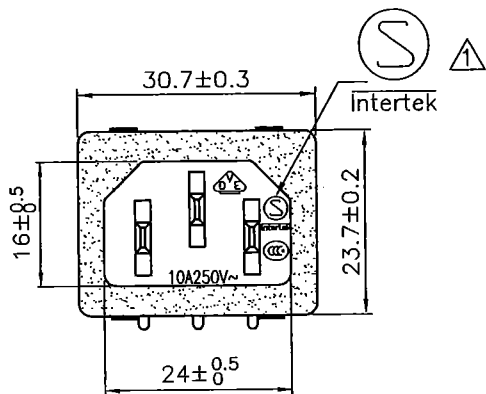


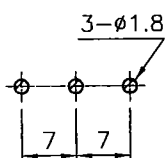
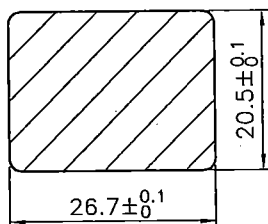
SS-120 INLET

SCALE : 1:1

UNIT : mm



Part No.	X	Color
SS-120-C-PCB-A	5±0.25	Black
SS-120-C-PCB-AV	5±0.25	Black(V0)
SS-120-C-PCB-A1	5±0.25	Grey
SS-120-C-PCB-B	10±0.5	Black
SS-120-C-PCB-C	3.5±0.5	Black
SS-120-C-PCB-G	3.7±0.2	Black



Rating:15A 250V AC
 Approvals:UL/CSA
 Rating:10A 250V AC
 Approvals:VDE/SEMKO/CCC

PANEL CUTOUT
 THICKNESS 0.8mm~1.5mm

P.C.B. LAYOUT

5	Soldering PIN Brass Strip t=0.8mm Tin-Plated	2	DIMENSIONAL TOLERANCES	
4	Soldering PIN Brass Strip t=0.8mm Tin-Plated	1	GRADATION	TOLERANCE
3	Contact PIN Brass Strip t=2mm Ni-Plated	2		
2	Contact PIN Brass Strip t=2mm Ni-Plated	1	X	±0.4
1	Body Insulator NYLON PA66	1	X.X	±0.3
APPROVE	CHECK:	DRAWER:	MATERIAL NO:SS-120-C-PCB Series	X.XX ±0.1
			DRAWING NO: 900279	ANGLE ±1°

ENGINEER NO: TWI-K-1C02(G)