



# SR-06NR Series



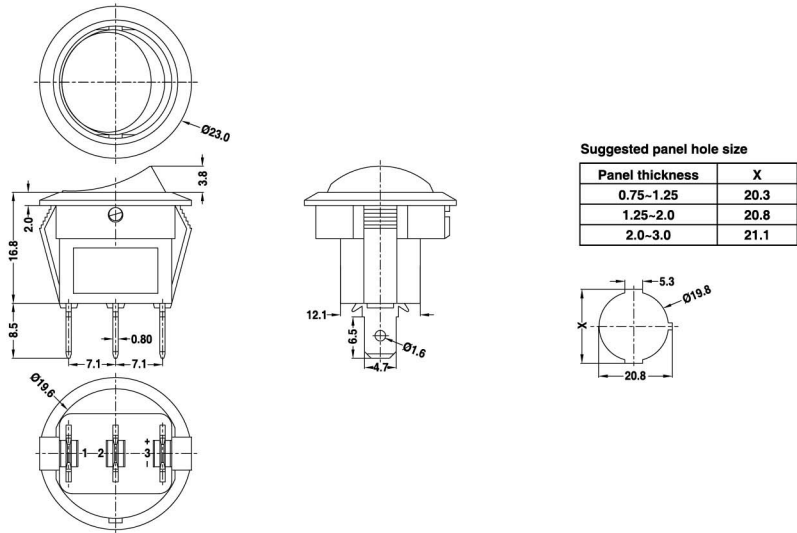
ROCKER SWITCH

## Specifications:

6(6)A	250VAC	T85	T125/55	5E4
6.5A	250VAC	T85	T125/55	
8A	250VAC	T85	T105/55	
10(3)A	250VAC	T85		
10(8)A	250VAC	T85		
13A	250VAC	T85		15E3



6.5A	250VAC	T125
1.3A	125VAC	
8A	250VAC	T125
1.6A	125VAC	



## SR-06NR

N — M — Q — 1 — BK — RE — 2 — 0 — 0 — 4 — 00 —

Function	Current	Terminal Type	Base Type	Base Color	Button Color	Button Type	Printing	Color of Printing	Lamp Voltage	Small Lens Color	Internal Use Only
A ON-OFF	M 6.5A 250VAC	Q	1	BK Black	BK Black	2	0 None	0 None	0 None	00 None	
B ON-ON	13A 125VAC										
C ON-OFF-ON	H2 10(3)A 250VAC	Q1	2	RE Red	RE Red	4	3	3 Red	3 110V	BL Blue	
D (ON)-OFF	8A 250VAC										
E ON-(OFF)	13A 125VAC	S	3	GR Green	GR Green	5	4	4 Blue	4 220V	AM Amber	
F ON-(ON)	L 10(8)A 250VAC										
M ON-OFF-(ON)	6(6)A 250VAC 5E4	P7		OR Orange	OR Orange	6	5	5 Yellow	5 2V		
X (ON)-OFF-(ON)	13A 250VAC 15E3										
N ON-OFF w/lamp (Unswitched neutral)	16A 125VAC			YE Yellow	AM Amber	7	7	7 36V			
Y ON-OFF w/LED lamp											
I Indicator						8	8	8 48V			