



SR-68-3 Series

ROCKER SWITCH



SR-68-3K



SR-68-3A



SR-68-3W



SR-68-3K



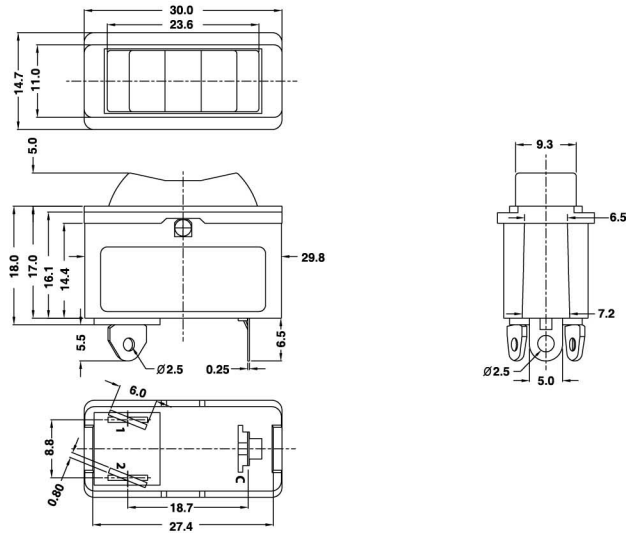
SR-68-3K

Specifications:

10(2)A 250VAC T85/55 SE4
16(3)A 250VAC T85/55



10.1A 250VAC T85
16A 125VAC



SR-68-3

K		L		BK		BK		1		0		0		1		Internal Use Only	
Function	Current	Base Color	Button Color	Button Type	Printing	Color of Printing	Base Type										
A OFF-ON ₁₊₂	L 16(3)A 250VAC	BK Black	BK Black	0 None	0 None	0 None											
C ON ₁ -OFF-ON ₂	16A 125VAC		WT White	1	1	1 White											
K OFF-ON ₁ -ON ₁₊₂			GE Grey	4	2	2 Black											
W ON ₁ -ON ₂ -ON ₁₊₂			RE Red	5	3	3 Red											
			GR Green		4	4 Blue											
			BL Blue		5	5 Yellow											
			OR Orange		6	6 Silver											
			YE Yellow		7												
					8												
					9												
					A												
					B												
					C												
					D												
					E												
					F												
					G												
					H												