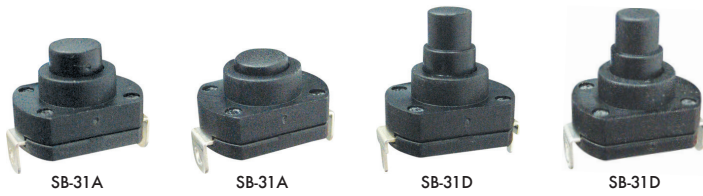




# SB-31 Series



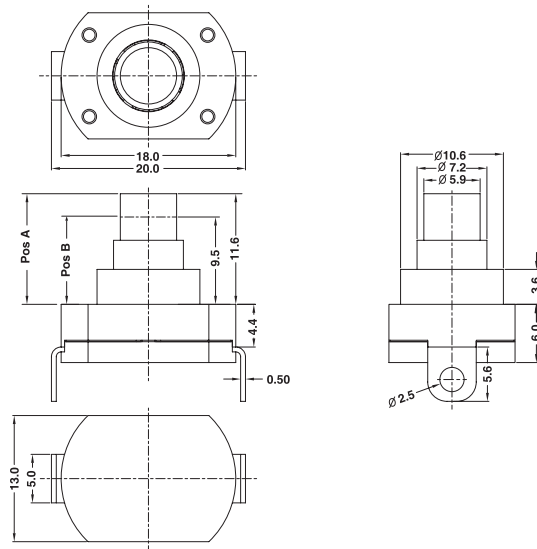
## Specifications:

3A	250VAC	T85
6(3)A	250VAC	T85
10(3)A	250VAC	T85

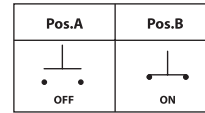
5E4



3A	250VAC	T105
6A	125VAC	
7.5A	250VAC	T105
15A	125VAC	



CIRCUIT DIAGRAM



PUSH SWITCH

## SB-31

A		S		BK		BK		2		S		Internal Use Only
Function		Current		Base Color		Knob Color		Knob Type		Terminal Type		
A	ON-OFF w/lock	S	3A 250VAC	BK	Black	BK	Black	1		S		
D	(ON)-OFF	H	10(3)A 250VAC					2		S1		
			6A 125VAC							P		
			6(3)A 250VAC 5E4							P1		
			15A 125VAC							P2		