

### SPECIFICATION

Contact Rating : 10A 250V AC

15A 250V AC

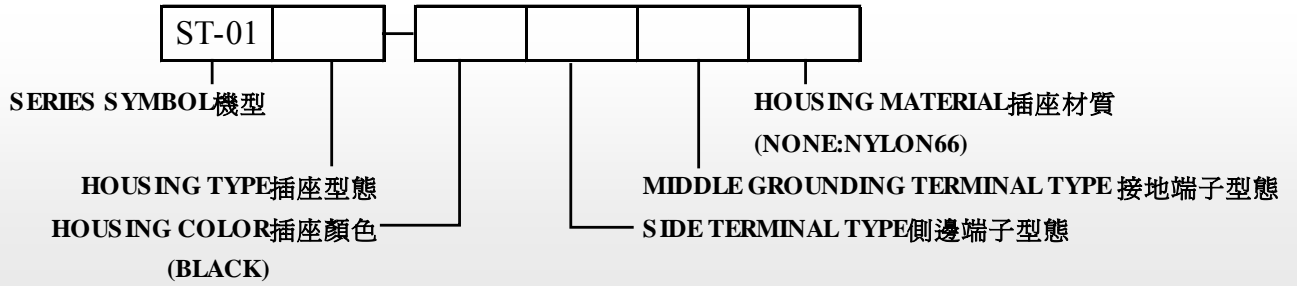
Insulation Resistance : 100 MΩ (MIN) 500V DC

Dielectric Strength : 2000V AC-1 minute

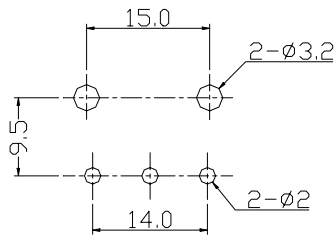
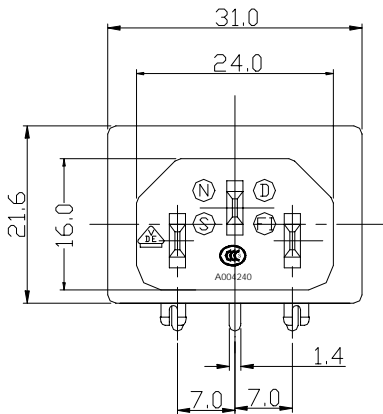
Operational Temperature : 0~85 °C



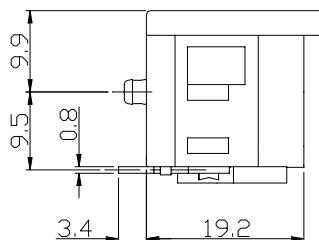
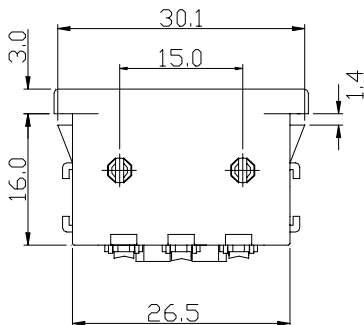
### PART NUMBERING SYSTEM



### DIMENSIONS in mm



PCB LAYOUT



HOUSING TYPE	SIDE TERMINAL TYPE																				
 CODE : AY	PC-TERMINAL  <table border="1"> <thead> <tr> <th>CODE</th> <th>AB</th> <th>C</th> <th>AV</th> <th>AY</th> </tr> </thead> <tbody> <tr> <td>X</td> <td>3.2</td> <td>3.4</td> <td>3.4</td> <td>3.4</td> </tr> </tbody> </table>	CODE	AB	C	AV	AY	X	3.2	3.4	3.4	3.4										
CODE	AB	C	AV	AY																	
X	3.2	3.4	3.4	3.4																	
 CODE : CA	MIDDLE GROUNDING TERMINAL TYPE PC-TERMINAL  <table border="1"> <thead> <tr> <th>CODE</th> <th>X</th> <th>Y</th> <th>Z</th> </tr> </thead> <tbody> <tr> <td>E</td> <td>3.2</td> <td>-</td> <td>-</td> </tr> <tr> <td>K</td> <td>3.2</td> <td>5.9</td> <td>-</td> </tr> <tr> <td>AL</td> <td>-</td> <td>-</td> <td>-</td> </tr> <tr> <td>R</td> <td>3.7</td> <td>-</td> <td>4.0</td> </tr> </tbody> </table>	CODE	X	Y	Z	E	3.2	-	-	K	3.2	5.9	-	AL	-	-	-	R	3.7	-	4.0
CODE		X	Y	Z																	
E		3.2	-	-																	
K	3.2	5.9	-																		
AL	-	-	-																		
R	3.7	-	4.0																		
 CODE : CP																					
 CODE : BA																					