

SPECIFICATION

Contact Rating : 10A 250V AC

15A 250V AC

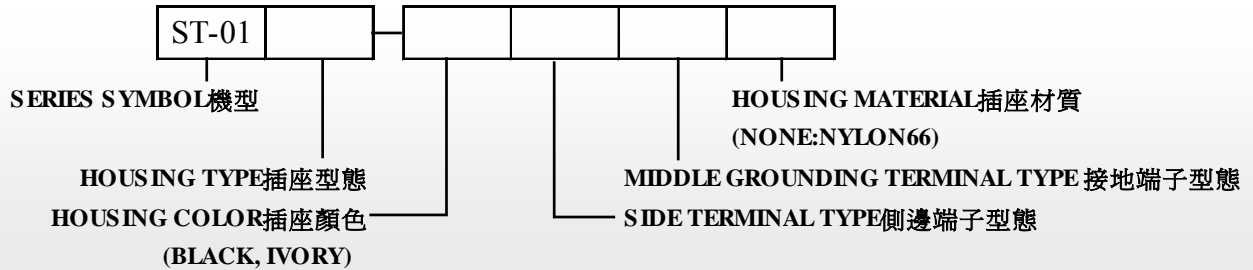
Insulation Resistance : 100 MΩ (MIN) 500V DC

Dielectric Strength : 2000V AC-1 minute

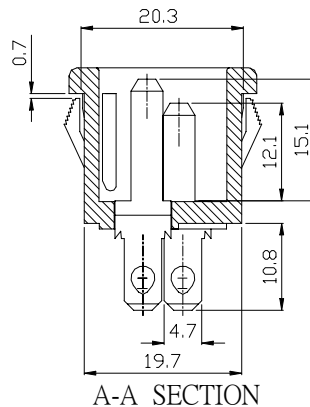
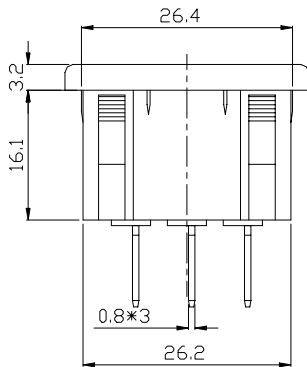
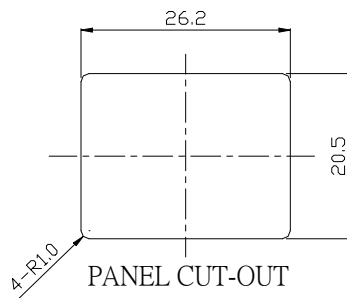
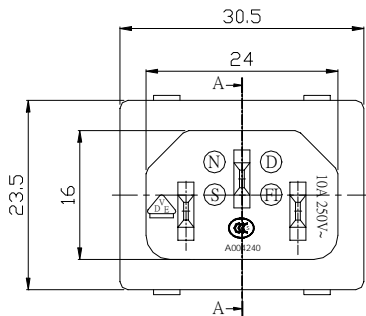
Operational Temperature : 0~85 °C



PART NUMBERING SYSTEM



DIMENSIONS in mm



HOUSING TYPE	SIDE TERMINAL TYPE	MIDDLE GROUNDING TERMINAL TYPE
HOUSING 30.5*23.5 CODE : NONE CODE : F CODE : A CODE : AL CODE : AJ	PLUG-IN 4.7 TERMINAL 7.3 7.3 10.8 10.8	PLUG-IN 4.7 TERMINAL 7.3 10.8
CODE : CR CODE : DB HOUSING 31.0*24.0 CODE : CE	SOLDER 4.0 TERMINAL 4.5 3.8	SOLDER 4.0 TERMINAL 4.5 3.8