

SPECIFICATION

Contact Rating : 10A 250V AC

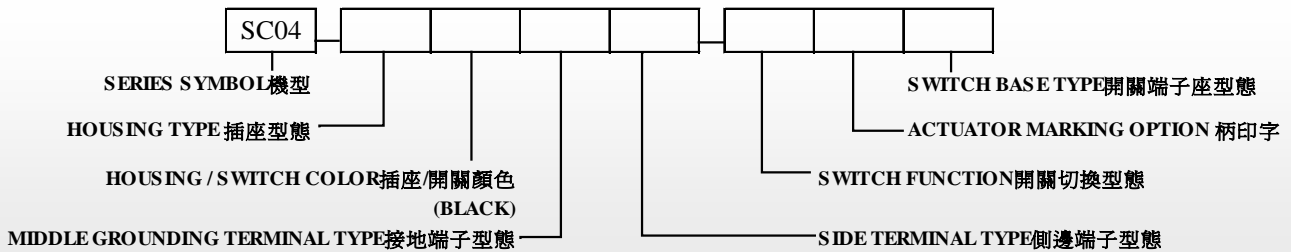
Insulation Resistance : 100 MΩ (MIN) 500V DC

Dielectric Strength : 2000V AC-1 minute

Operational Temperature : 0 °C ~ 85 °C

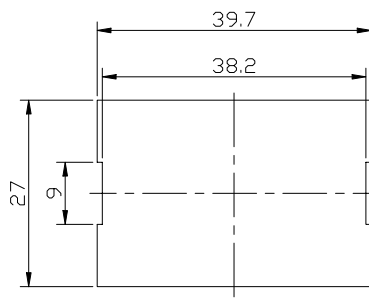
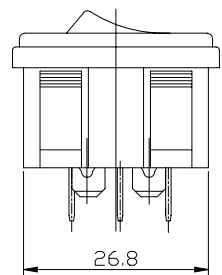
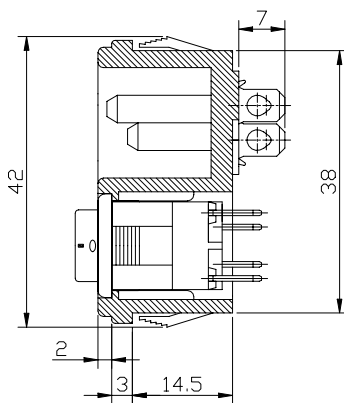
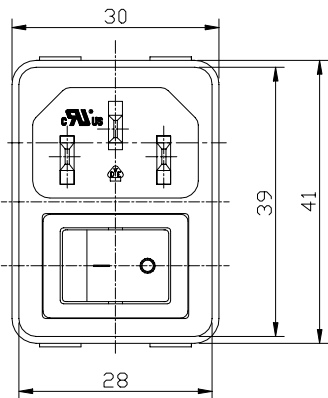


PART NUMBERING SYSTEM



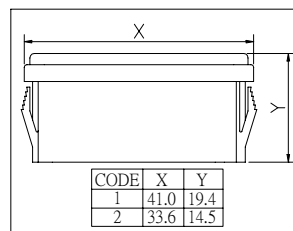
DIMENSIONS

in mm



PANEL CUT-OUT

HOUSING TYPE



ACTUATOR MARKING OPTION

CODE:1 NONE



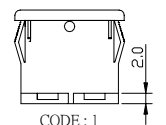
CODE:2 CODE:3

SIDE TERMINAL TYPE	MIDDLE GROUNDING TERMINAL TYPE
PLUG-IN 4.7 TERMINAL CODE : W	PLUG-IN 4.7 TERMINAL CODE : W
SOLDER 4.0 TERMINAL CODE : T	SOLDER 4.0 TERMINAL CODE : T

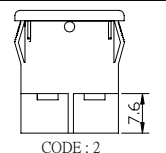
SWITCH FUNCTION

CODE	LEFT	CENTER	RIGHT
1	ON	NONE	OFF
1 1A	ON	NONE	OFF
2	ON	NONE	OFF
2 2A	ON	NONE	OFF
3	ON	NONE	OFF
2 POLE	ON	NONE	OFF
5	ON	NONE	OFF

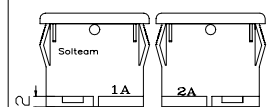
SWITCH BASE TYPE



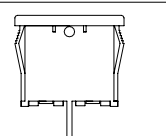
CODE : 1



CODE : 2



CODE : 3



CODE : 5