

SPECIFICATION

Contact Rating : 2.5A 250V AC

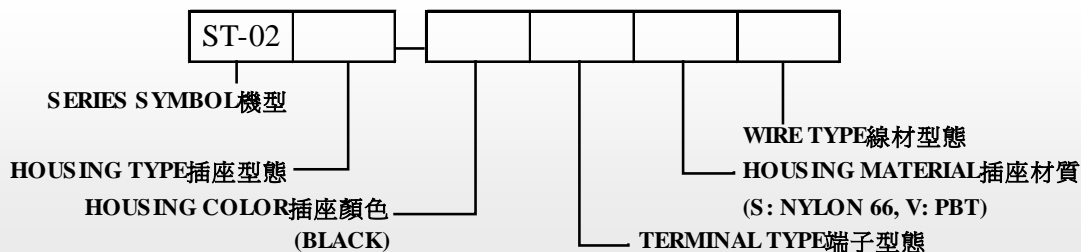
Insulation Resistance : 100 MΩ (MIN) 500V DC

Dielectric Strength : 2000V AC-1 minute

Operational Temperature : 0~85 °C

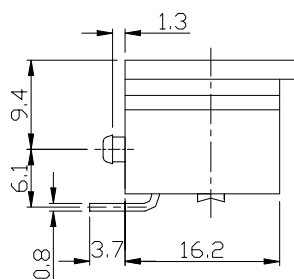
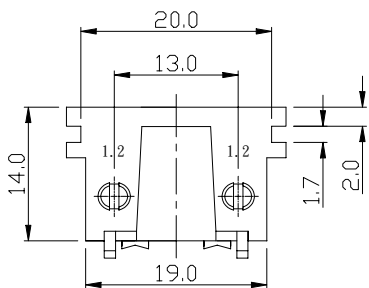
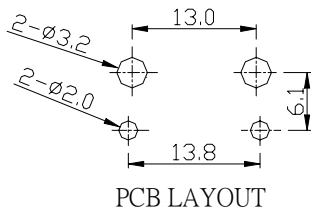
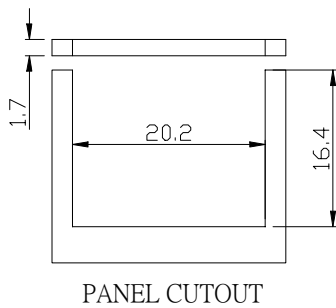
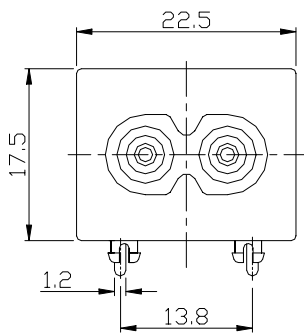


PART NUMBERING SYSTEM



DIMENSIONS

in mm



HOUSING TYPE	TERMINAL TYPE
<p>CODE: A</p>	<p>CODE: K</p>
<p>CODE: M</p>	<p>CODE: W</p>
<p>CODE: J</p>	<p>CODE: D</p>
<p>CODE: AJ</p>	