

SPECIFICATION

Contact Rating : 10A 250V AC

15A 250V AC

Insulation Resistance : 100 MΩ (MIN) 500V DC

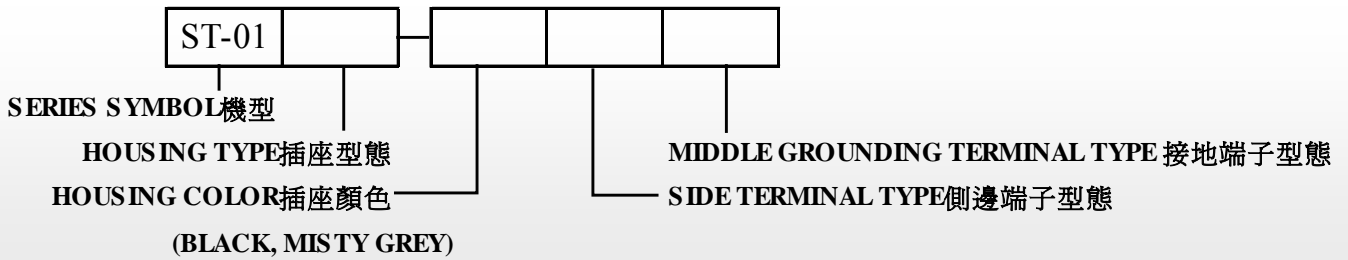
Dielectric Strength : 2000V AC-1 minute

Operational Temperature : 0~85 °C

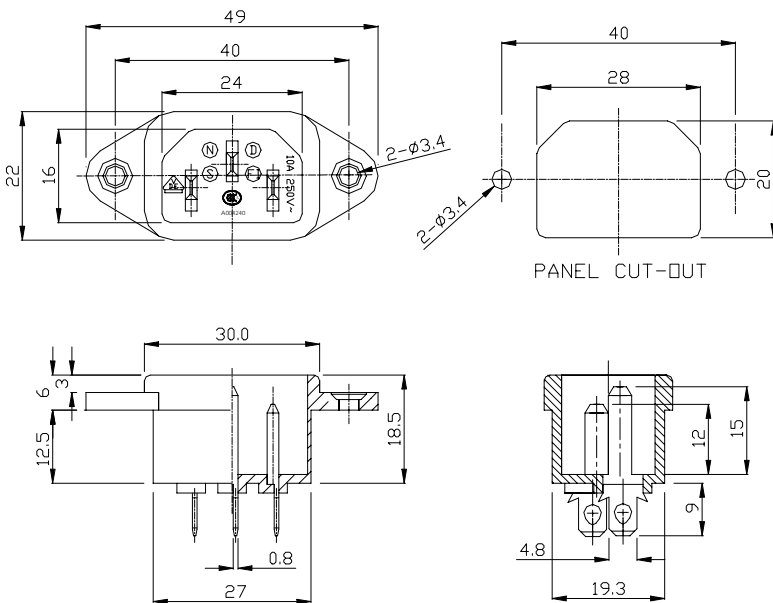
PART NO : ST-01 (G,DC)



PART NUMBERING SYSTEM



DIMENSIONS in mm



HOUSING TYPE	SIDE TERMINAL TYPE	MIDDLE GROUNDING TERMINAL TYPE
 CODE : DC	 PLUG-IN 4.7 TERMINAL CODE : F	 PLUG-IN 4.7 TERMINAL CODE : 9
 CODE : G	 SOLDER 4.0 TERMINAL CODE : W	 SOLDER 4.0 TERMINAL CODE : C