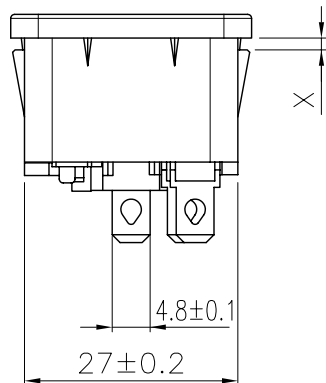
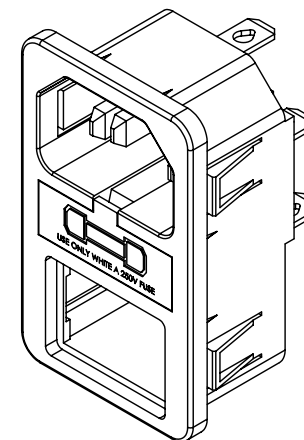
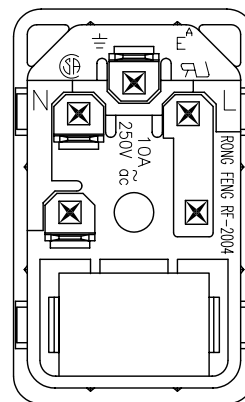
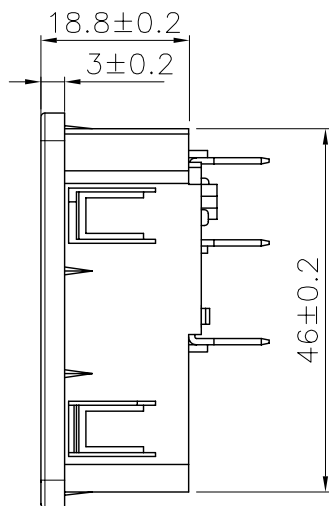
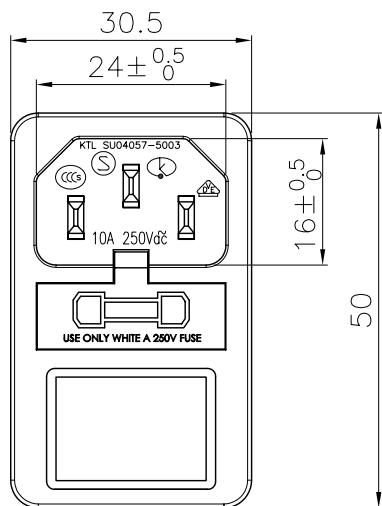
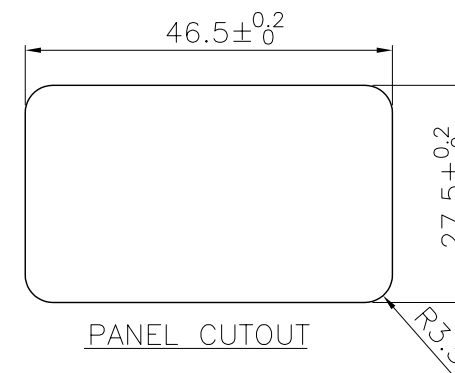


RF-2004



SOCKET(RF-2004)

RATING: 10A250V \tilde{c}
 APPROVED: UL,CSA,VDE,
 SEMKO,CCC,KTL



Part No.	Body Color	X
RF-2004-F1.0-4.8	Black	1.0
RF-2004-F2.0-4.8	Black	2.0

5	→			GENERAL TOLERANCE		approved	checked	designed	drawn	ALL SIZE ARE IN	MM	
4	→			GRADATION	TOLERANCE					SCALE	1:1	
3	→			X	±0.4					MAT'L	**	
2	→			X.X	±0.3					MATERIAL NO.	DRAWING NO.	
1	→			X.XX	±0.1	RONG FENG INDUSTRIAL CO.,LTD.				RF-2004-F1.0-4.8& RF-2004-F2.0-4.8	951-0200	
NO.	DESCRIPTION	APPROVED	DATE	ANGLE	±1°							