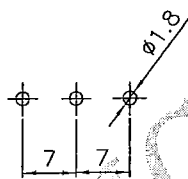
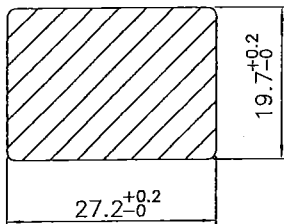
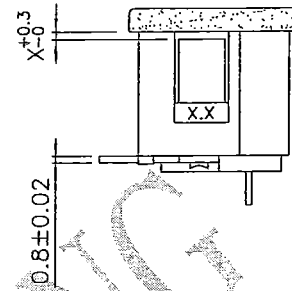
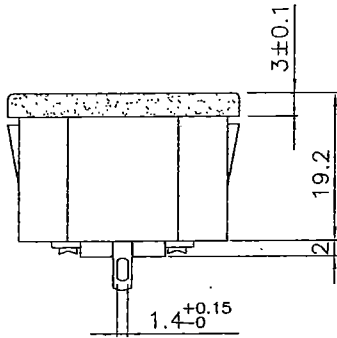
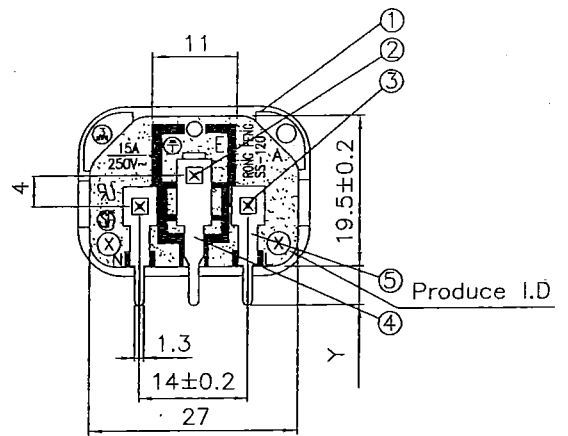
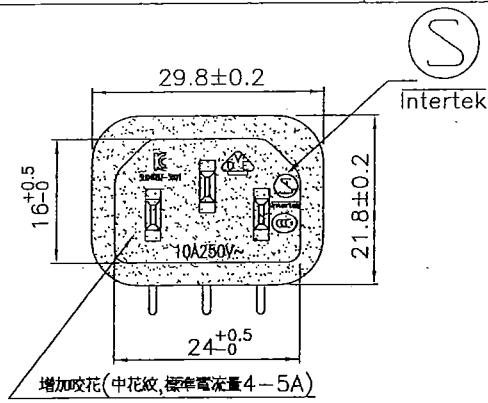


SS-120 INLET

SCALE : 1:1

UNIT : mm



P.C.B. LAYOUT

Rating: 15A 250V AC
 Approvals: UL/CSA
 Rating: 10A 250V AC
 Approvals: VDE/SEMKO/CCC/KTL

PANEL CUTOUT

THICKNESS X mm

PART LIST

Part No.	X	Y	Color
SS-120-PCB-1.0AE	1.0	5 ^{+0.1} _{-0.25}	Black
SS-120-PCB-1.2AE	1.2	5 ^{+0.1} _{-0.25}	Black
SS-120-PCB-1.2AE2	1.2	3.5±0.2	Black
SS-120-PCB-1.5AE	1.5	5 ^{+0.1} _{-0.25}	Black
SS-120-PCB-1.5AE2	1.5	3.5±0.2	Black
SS-120-PCB-2.0AE	2.0	5 ^{+0.1} _{-0.25}	Black
SS-120-PCB-3.0AE	3.0	2.2 ^{+0.1} _{-0.25}	Black



5	Soldering PIN Brass Strip t=0.8mm Tin-Plated	2	DIMENSIONAL TOLERANCES		
4	Soldering PIN Brass Strip t=0.8mm Tin-Plated	1	GRADATION	TOLERANCE	
3	Contact PIN Brass Strip t=2mm Ni-Plated	2			
2	Contact PIN Brass Strip t=2mm Ni-Plated	1	X	±0.4	
1	Body Insulator PC Black Color	1	X.X	±0.3	
APPROVED:	CHECK:	DRAWER:	ORDER NO: SS-120-PCB-X.XAE	X.XX	±0.1
			DRAWING NO: 900462	ANGLE	±1°

ENGINEER NO: TWI-K-1D84(L)